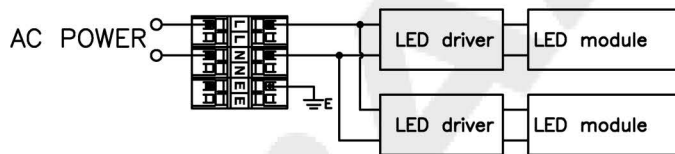
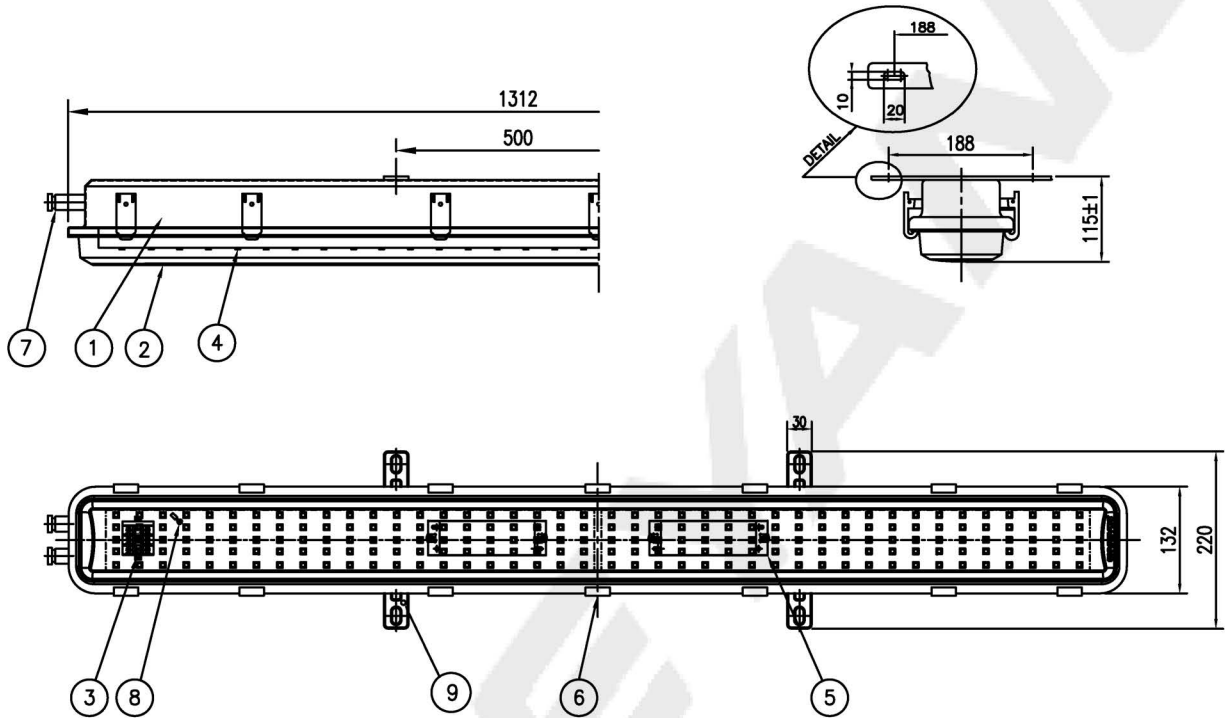
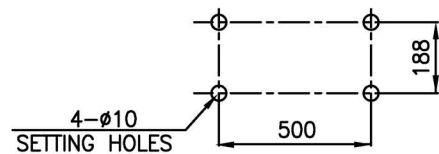


CAPACITY	SYMBOL / SERIAL NO.	CIRCUIT DIAGRAM
AC100-240V, 50/60Hz		
25W x 2		



CIRCUIT DIAGRAM



SETTING DIMENSION

9	OUTSIDE EARTH BOLT	STAINLESS STEEL304	1	M5					
8	INSIDE EARTH BOLT	STAINLESS STEEL304	1	M4	4	LED module	-	2	5,000K
7	CABLE GLAND	BRASS	2	φ12~φ14	3	TERMINAL BLOCK	NYLON	1	
6	LATCH	STAINLESS STEEL316L	14		2	GLOBE	POLYCAR-BONATE	1	MILKY
5	LED driver	-	2		1	BODY	STAINLESS STEEL316L	1	
NO	NAME OF PARTS	MATERIAL	Q'TY	REMARKS	NO	NAME OF PARTS	MATERIAL	Q'TY	REMARKS

APPROVED	B. K. KIM	UNIT	MM
CHECKED	/	SCALE	N/S
DRAWING	B. I. KIM	COLOR	N-9.3
DATE	2015.12.04	IP	67

TITLE;
LED CEILING LIGHT
(SURFACE TYPE)
FOR MARINE USE



MODEL NO.	LEB225WS-0550UWNM2GLw14QC50	WEIGHT	7.7 Kg
DWG NO.	LO1450196	SHEET NO.	17